

Compact HR1600/2500



Model	HR1600 Cougar	HR2500 Cheetah
VESSEL LENGTH	9-13m 29-42ft	13-17m 42-55ft
POWER SUPPLY (DC)	12/24V	12/24V
MOTOR (Watts)	1000	1200
HYDRAULIC PRESSURE	N/A N/A	10MPa 1450PSI
HYDRAULIC FLOW	N/A N/A	20L/min 5.5gal/min
MAX LOAD	545kg 1200lb	1136kg 2500lb
WORK LOAD	125kg 275lb	284kg 624lb
AMPS WORK LOAD	125/60	150/75
MAX LINE SPEED	14.5m/min 46ft/min	15m/min 48ft/min
CHAIN SIZE	6 mm (1/4") 8mm (5/16") 10mm (3/8")	8mm (5/16") 10mm (3/8")
NET WEIGHT	DC 25kg HYD 24kg DC 55lb HYD 53lb	DC 36kg HYD 35kg DC 79lb HYD 77lb
MANUAL OPERATION	MORS (std)	MORS (std)

Features

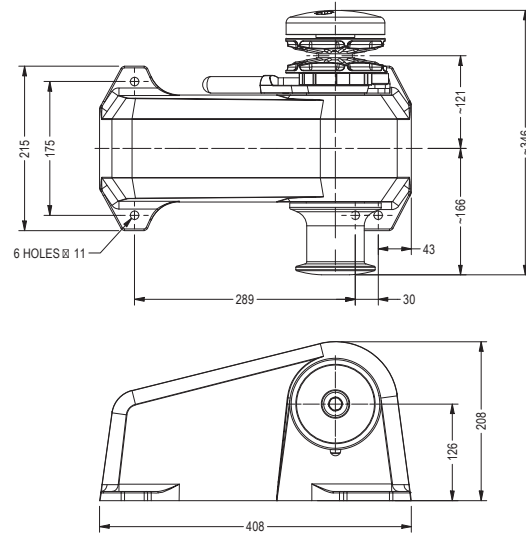
- Chain only
- Manual Override System
- Gypsy lock/pawl
- Chain pipe & peeler
- Heavy duty dual direction motor in 12 & 24V DC (Hydraulic HR2500 only)
- Durable marine grade white gloss composite housing
- Fully enclosed motor & gearbox
- Independent gypsy and capstan operation
- Luxury chromed marine grade bronze / 316 Stainless steel running gear
- Stainless steel drive shaft
- Cone clutch/brake
- Shaft seal
- Clutch release handle
- Installation/Operation booklet
- Front double twin footings.



Options

- Twin gypsy, twin capstan
- Traditional polished bronze finish on running gear
- Full range of accessories including chain, chain pipes, chain stoppers, snubber kits & devil claws
- Electric & hydraulic operating options & accessories
- Auto anchor - chain counter.

HR1600 Cougar



HR2500 Cheetah

